

Cruck Marquee Tent

Details:



1. Douglas Fir timber frame with traditional mortise and tenon joinery. Joinery secured by hardwood pegs.
2. Comes with 3 pc. 9oz. water repellent polyester canvas (white,) hard wood tent poles, rope and tent pegs.
3. Timber frame foot print: 164" x 171"
4. Total foot print (including side overhangs and tent poles): ~ 381" x 214"
5. Frame set on 6"x8"x24" Douglas Fir "Feet."

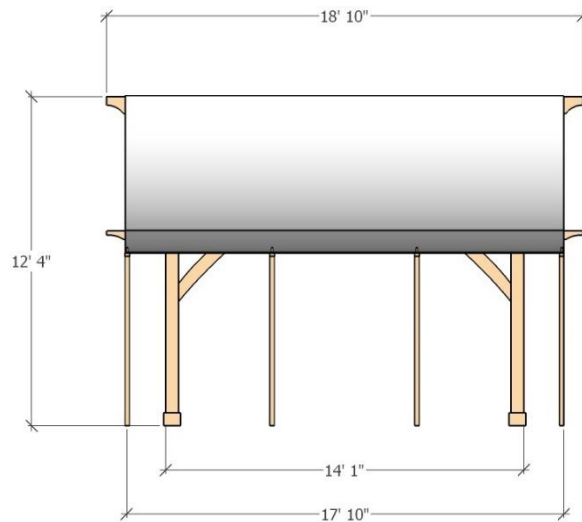
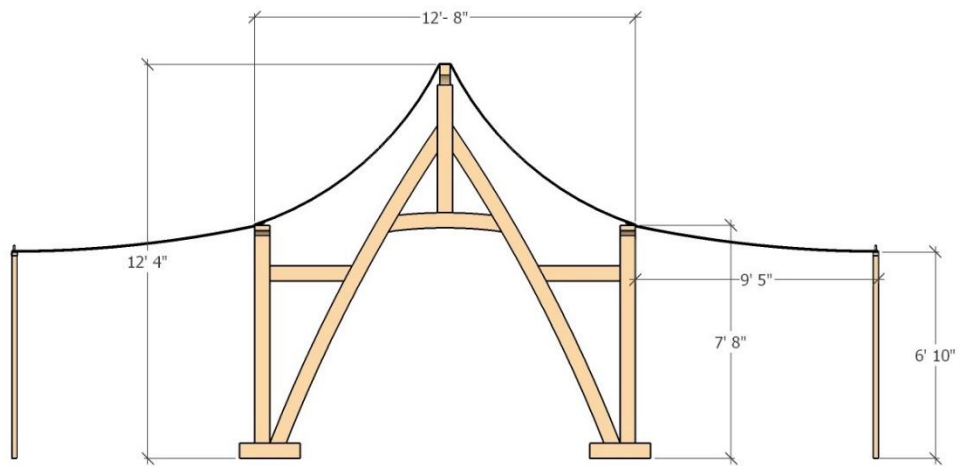
Standard Cruck Marquee



Cruck Marquee with Extended Side Canvases



Dimensions



Features:

1. No need for a building permit in most municipalities in Ontario.
2. Effectively shades patio and dining areas without a permanent roof structure.
3. Unlike a pergola the Cruck Marquee Tent offer both shade and shelter from the rain.
4. A beautiful alternative to the typical wedding tent or event tent.
5. Can be set up in multiple locations without the need of foundation or building permit.
6. Set up takes under 2 hrs and take down an hour.
7. High peak allows for hanging chandelier or other lighting.

Common Uses:

1. Shade your dining/ lounge area and protect it from rain fall.
2. Company events, covered area for drinks/ food
3. Wedding head table.